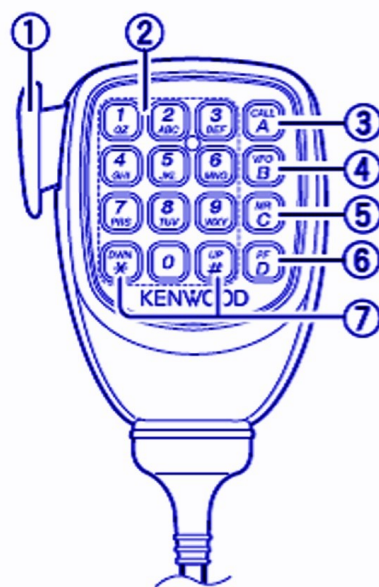
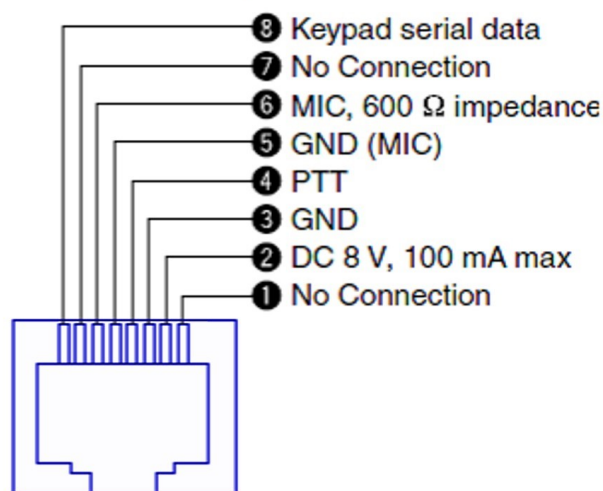


MICROPHONE (MC-59)



Microphone Jack



① **PTT switch**

Press and hold, then speak into the microphone to transmit.

② **DTMF keypad**

Press these keys to make DTMF calls, enter frequencies, or enter characters.

③ **CALL/ A**

Functions the same as the transceiver front panel **[CALL]** key. This is also the PF4 key and can be reprogrammed with a programmable function.

④ **VFO/ B**

Functions the same as the transceiver front panel **[VFO]** key. This is also the PF3 key and can be reprogrammed with a programmable function.

⑤ **MR/ C**

Functions the same as the transceiver front panel **[MR]** key. This is also the PF2 key and can be reprogrammed with a programmable function.

⑥ **PF/ D**

Press to toggle between bands A and B. This is also the PF1 key and can be reprogrammed with a programmable function.

⑦ **UP/ DWN**

Functions the same as the transceiver **Tuning** control.